

USER MANUAL

REPLICA





HELLO (HELLO, HELLO...)

and congratulations on your purchase of Replica, the world's best guitar delay pedal from T-Rex Engineering.

Replica packs more incredible-sounding echo and delay effects into a single box than any other pedal out there. From the warm analogue echo of early Floyd to the precision-engineered delays of the digital studio, this box does it all. And then some.

Read this manual carefully to thoroughly acquaint yourself with your new Replica. The better you know it, the more it will give you in return.

TAKE CONTROL OF YOUR DELAY

The main controls on your Replica pedal are the ECHO, REPEAT, TEMPO and LEVEL knobs, while the BROWN and SUBDIVISION switches provide further tone and tempo options and an INPUT LEVEL knob on the side of the unit lets you control your input signal. An ingenious TAP button lets you set tempo on the fly, without missing a beat.

ECHO determines the mix of direct signal and delay. Turn it down for a subtler natural effect, and crank it up for doubling or freaky long delay effects.

The REPEAT knob lets you control the number of times a sound is repeated – from just once to a virtual infinity.

TEMPO determines the speed of your echo. TIP: to experiment, try tuning in a classic 50s slap-back sound by combining a fast tempo with a low repeat value.

LEVEL lets you adjust the overall output of your Replica.

The TAP button in the bottom-right corner of your Replica lets you set the tempo of your delay while you play. Just tap along to the beat, and you're up and running.

Use the BROWN switch to take the digital edge off your delay and recreate the great tape-echo effects of the Golden Age of rock 'n' roll.

The SUBDIVISION switch lets you split your delay into 1/4-note triplets that follow the tempo you set manually or tap in.

The INPUT LEVEL knob on the side of your Replica lets you turn down the input signal to eliminate overload distortion when your pedal is at the end of an effects chain or used as part of an effects loop from your amp.



INS AND OUTS

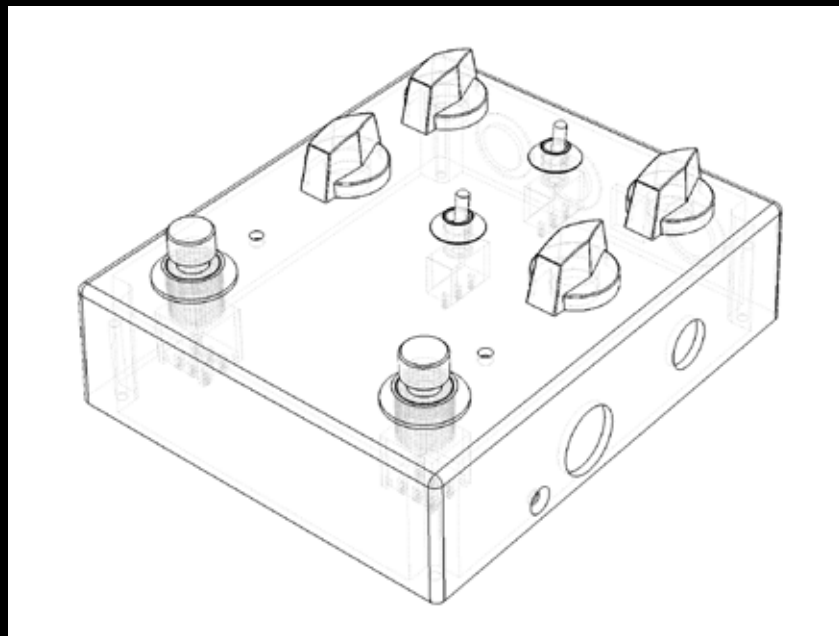
Replica's input and output jacks offer lots of setup options and are designed to protect the integrity of your sound. Even when your delay is switched off, true hardwire bypass makes sure your signal stays pure all the way to the amp.

Besides the standard input and output jacks on your Replica, the pedal features a DIRECT output and a MIDI jack.

The DIRECT output lets you send a clean signal (with no echo) to a tuner, or even to another amplifier for cool stereo effects. The MIDI jack (input only) lets you control your delay's tempo (MIDI CTL no. 20) and on/off (MIDI CTL no. 21) via an external midi controller.

Your Replica can be used in an effects loop, but note that input signals above 2 dBu can cause distortion.

TECHNICAL SPECIFICATIONS	
Input Impedance@1KHz	Higher than 1 M ohm
Output Impedance@1KHZ	Lower than 1 K ohm
Power Supply	External 12V DC, -1250 mA power supply. Runs on 100/115/230V AC/50-60Hz depending on the country
Minimum Power supply Voltage	10,8V DC
Maximum Power supply Voltage	12,5V DC
Current Draw @ 12V DC	113mA
Maximum Input signal Vp/p	1,7Vp/p
External Connectors	Input Jack, Output Jack, Direct Jack, 12V AC/DC jack, Midi (5 pole female Din Plug)
Controls	Echo, Repeat, Tempo, Level, Brown, Sub-division, On/Off, Tap Tempo, Input Level
Pedal size incl. knobs (W x H x D)	100 x 55 x 120 mm / 3,9 x 2,2 x 4,7 inch
Weight (excl. battery and packaging)	0,380 kg / 13.4 oz



T-REX WARRANTY CONDITIONS

T-Rex offers a 2-year warranty on all our products. In the unlikely event of a malfunction, please contact our technical support at info@t-rex-effects.com before sending us the product for repair. When the product has been sent to us at sender's cost, we will repair or replace your product and send it back to you - free of charge and usually within 3 weeks (shipping not included). The product needs to be accompanied by a copy of your receipt, serial number, return address, phone number, e-mail address and a brief explanation of the problem. Please note that we cannot replace a product until we have received it here in Denmark.

The warranty is lost if the product has been damaged by alteration, misuse, accident, or neglect; or if the product has been repaired or serviced by persons not authorized by T-Rex. Read more about warranty conditions at www.t-rex-effects.com.

ABOUT T-REX

Based in Vejle, Denmark, T-Rex Engineering makes classic and signature effects pedals for the world's best musicians. Our approach blends hi-tech innovation with old-world craftsmanship – always in the service of killer tone.

EU REGULATIONS • ENVIRONMENT PROTECTION

T-Rex accepts and follows the regulations and directives issued by the EU. We find these environment protecting regulations very good, and we are happy to follow them.



ISSUED IN VEJLE, 2010



Lars Dahl-Jørgensen
Development Director



Sebastian Jensen
Production Director



T-Rex Engineering ApS
www.t-rex-effects.com