

USER MANUAL

# PolySwitch





## A TRUE HARDWIRE STEREO A-B SWITCH

Congratulations on your purchase of PolySwitch AB, our exceptionally versatile stereo switch for any musician who needs high-quality stereo switching.

PolySwitch AB lets you send your mono or stereo signal from your instrument to two separate stereo amplifiers or other output destinations. Or, you can go the other way – sending two stereo signals to a single input destination.

PolySwitch AB might look like a very simple tool, but in fact it offers more power and versatility than you might think. Turn the page to learn how to make the most of it!

## JUST SWITCH IT!

### In and outs

PolySwitch AB features 1 set of stereo inputs (input L, input R) and 2 sets of stereo outputs (output A-L, output A-R, output B-L, output B-R). To use PolySwitch AB to send your instrument signal to 2 separate amplifiers (for example), just plug your instrument into the input jack(s) and run lines from the output jacks to your 2 amplifiers. Use the footswitch on the top of the unit to switch between the A and B outputs.

### Mixed signals

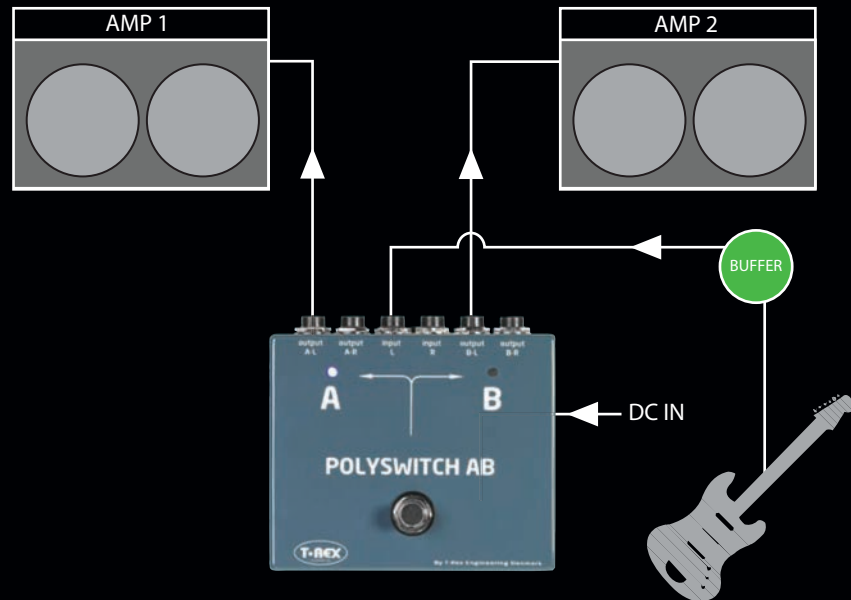
Your PolySwitch AB can also work "backwards", letting you send signals from 2 different instruments into a single amplifier, mixer or other unit. To use PolySwitch AB in this way, simply plug your instruments into the output jacks, and use a line from your input jack(s) to your amplifier or other destination.

### Buffer switch

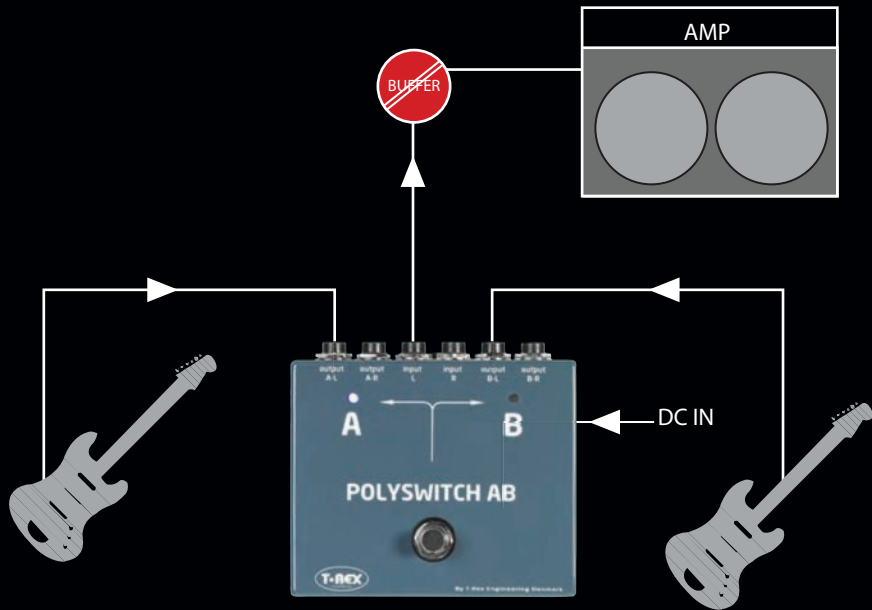
On the back of your PolySwitch AB, you'll find the buffer on/buffer off switch. In the on position, this switch will boost your input signal to compensate for signal loss due to extra long cables or other factors. Note that the buffer function only works when sending an instrument signal to amplifiers – not "backwards" as described under Mixed signals on the previous page.

**Warning:** Do not attempt to connect PolySwitch AB between an amplifier and speakers, as this can permanently damage the unit.

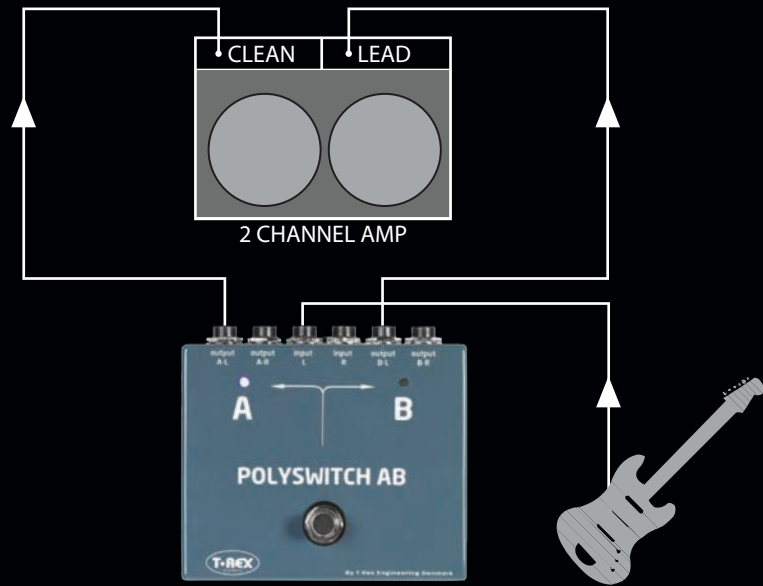
## SWITCHING BETWEEN TWO AMPS



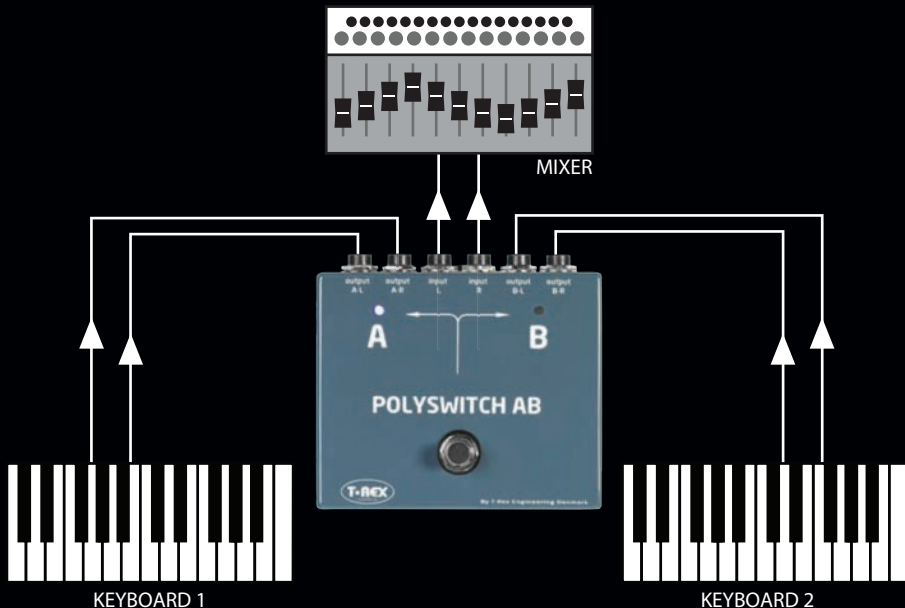
## SWITCHING BETWEEN TWO GUITARS



## SWITCHING BETWEEN TWO CHANNELS



## SWITCHING BETWEEN TWO KEYBOARDS



## TECHNICAL SPECIFICATIONS

|                                           |                                                                  |
|-------------------------------------------|------------------------------------------------------------------|
| Input Impedance @ 1KHz with buffer OFF    | 3,5MOhm                                                          |
| Input Impedance @ 1KHz with buffer ON     | 862KOhm                                                          |
| Output Impedance @ 1KHz with buffer OFF   | >10MOhm                                                          |
| Output Impedance @ 1KHz with buffer ON    | 120Ohm                                                           |
| Power supply                              | 9V DC (T-Rex FuelTank)                                           |
| Minimum Power supply Voltage              | 8V DC                                                            |
| Maximum Power supply Voltage              | 12, 5V DC                                                        |
| Current Draw @ 9V DC                      | 19mA                                                             |
| Maximum input signal Vp/p with buffer OFF | Input = Output. No limit                                         |
| Maximum input signal Vp/p with buffer ON  | 4Vp/p                                                            |
| Battery Type                              | 9V battery 6F22                                                  |
| Battery Life                              | 5 to 8 hours                                                     |
| External connectors                       | Input left, Input right, Out(A) left /right<br>Out(B) left/right |
| Controls                                  | On/Off - buffer                                                  |
| Pedal size incl. knobs (W x H x D)        | 100 x 55 x 120 mm / 3,9 x 2,2 x 4,7 inch                         |
| Weight<br>(excl. battery and packaging)   | 0,335 kg / 11.8 oz                                               |

## T-REX WARRANTY CONDITIONS

T-Rex offers a 2-year warranty on all our products. In the unlikely event of a malfunction, please contact our technical support at [info@t-rex-effects.com](mailto:info@t-rex-effects.com) before sending us the product for repair. When the product has been sent to us at sender's cost, we will repair or replace your product and send it back to you - free of charge and usually within 3 weeks (shipping not included). The product needs to be accompanied by a copy of your receipt, serial number, return address, phone number, e-mail address and a brief explanation of the problem. Please note that we cannot replace a product until we have received it here in Denmark.

The warranty is lost if the product has been damaged by alteration, misuse, accident, or neglect; or if the product has been repaired or serviced by persons not authorized by T-Rex. Read more about warranty conditions at [www.t-rex-effects.com](http://www.t-rex-effects.com).

## ABOUT T-REX

Based in Vejle, Denmark, T-Rex Engineering makes classic and signature effects pedals for the world's best musicians. Our approach blends hi-tech innovation with old-world craftsmanship – always in the service of killer tone.

## EU REGULATIONS • ENVIRONMENT PROTECTION

T-Rex accepts and follows the regulations and directives issued by the EU. We find these environment protecting regulations very good, and we are happy to follow them.



ISSUED IN VEJLE, 2008

*Steen Meldgaard*

Steen Meldgaard Laursen  
Managing Director

*Lars Dahl-Jørgensen*

Lars Dahl-Jørgensen  
Development Director

*Sebastian Jensen*

Sebastian Jensen  
Production Director



T-Rex Engineering ApS  
[www.t-rex-effects.com](http://www.t-rex-effects.com)